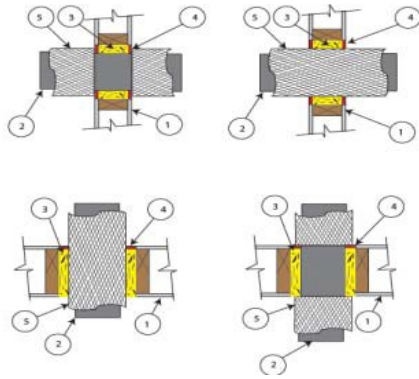


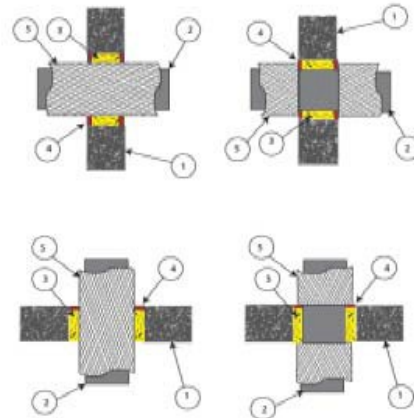
Firestops Assemblies for CL4FIRE Listed System: F405-1-1

1 or 2 Hour rated Ventilation Duct

CL4FIRE Ductwrap through wall penetration:



Gypsum/Wood Firestop Assemblies



Concrete Firestop Assemblies

1. Floor or Wall Assemblies:

Code conforming 1 or 2-hour floor or wall assembly. Minimum 4 ½" thick lightweight or normal weight concrete, 8" thick concrete block (filled or unfilled), 1 or 2 hour gypsum wall assembly with framed opening, 1 or 2 hour gypsum ceiling / wood floor assembly with framed opening.

2. Penetrating Item:

Rectangular or Round #26 gauge or thicker steel air duct (as described in Maximum Size of Ventilation Air Duct System)

3. Wall Firestop Insulation:

Minimum 4" thickness of CL4FIRE fire protection thermal insulation, or mineral wool insulation tightly compressed into concrete opening, recessed ¼" from the top and flushes with the bottom of a gypsum ceiling / wood floor assembly, or recessed ¼" from both sides of a concrete or framed gypsum wall assembly.

4. Firestop Sealant:

Firestop Sealant installed a minimum of ¼" deep flush with the top surface of a floor assembly or both sides of a wall assembly. Installation can consist of one of the approved caulking products:

Approved Sealants:

- 3M Fire Barrier 1000 Silicone
- AD Fire Barrier Silicone
- Passive Fire Protection Partners 4800DW Sealant
- STi SIL300 Silicone Firestop Sealant
- STi SpecSeal® Series SSS Latex Intumescent Sealant
- STi SpecSeal® Series LCI Intumescent Sealant

Note: Equivalent sealants are acceptable, if they are tested and listed to CAN/ULC S115, ASTM E814-02 and UL 1479.

5. Duct Insulation:

Firestop penetrations allow for the wrap to be either extended through the opening before firestopping or firestop the raw unwrapped duct first before installing CL4FIRE insulation abutting both sides of firestop assembly.